

# PARTS LIST

## CAUTION

- The parts identified by the  $\triangle$  symbol are important for the safety. Whenever replacing these parts, be sure to use specified ones to secure the safety.
- The parts not indicated in this Parts List and those which are filled with lines — in the Parts No. columns will not be supplied.
- P. W. Board Ass'y will not be supplied, but those which are filled with the Parts No. in the Parts No. columns will be supplied.

## ABBREVIATIONS OF RESISTORS, CAPACITORS AND TOLERANCES

RESISTORS		CAPACITORS	
C R	Carbon Resistor	C CAP.	Ceramic Capacitor
F R	Fusible Resistor	E CAP.	Electrolytic Capacitor
P R	Plate Resistor	M CAP.	Mylar Capacitor
V R	Variable Resistor	HV CAP.	High Voltage Capacitor
HV R	High Voltage Resistor	MF CAP.	Metalized Film Capacitor
MF R	Metal Film Resistor	MM CAP.	Metalized Mylar Capacitor
MG R	Metal Glazed Resistor	MP CAP.	Metalized Polystyrol Capacitor
MP R	Metal Plate Resistor	PP CAP.	Polypropylene Capacitor
OM R	Metal Oxide Film Resistor	PS CAP.	Polystyrol Capacitor
CMF R	Coating Metal Film Resistor	TF CAP.	Thin Film Capacitor
UNF R	Non-Flammable Resistor	MPP CAP.	Metalized Polypropylene Capacitor
CH V R	Chip Variable Resistor	TAN. CAP.	Tantalum Capacitor
CH MG R	Chip Metal Glazed Resistor	CH C CAP.	Chip Ceramic Capacitor
COMP. R	Composition Resistor	BP E CAP.	Bi-Polar Electrolytic Capacitor
LPTC R	Linear Positive Temperature Coefficient Resistor	CH AL E CAP.	Chip Aluminum Electrolytic Capacitor
NETW R	Network Resistor	CH AL BP CAP.	Chip Aluminum Bi-Polar Capacitor
		CH TAN. E CAP.	Chip Tantalum Electrolytic Capacitor
		CH AL BP E CAP.	Chip Tantalum Bi-Polar Electrolytic Capacitor

TOLERANCES									
F	G	J	K	M	N	R	H	Z	P
±1%	±2%	±5%	±10%	±20%	±30%	+30%	+50%	+80%	+100%
						-10%	-10%	-20%	-0%

## CONTENTS

■ P.W. BOARD .....	28
■ EXPLODED VIEW PARTS LIST .....	28
■ EXPLODED VIEW .....	29
■ PRINTED WIRING BOARD PARTS LIST	
● MAIN PW BOARD ASS'Y .....	30
■ PACKING / PACKING PARTS LIST .....	34
■ REMOTE CONTROL UNIT PARTS LIST .....	34

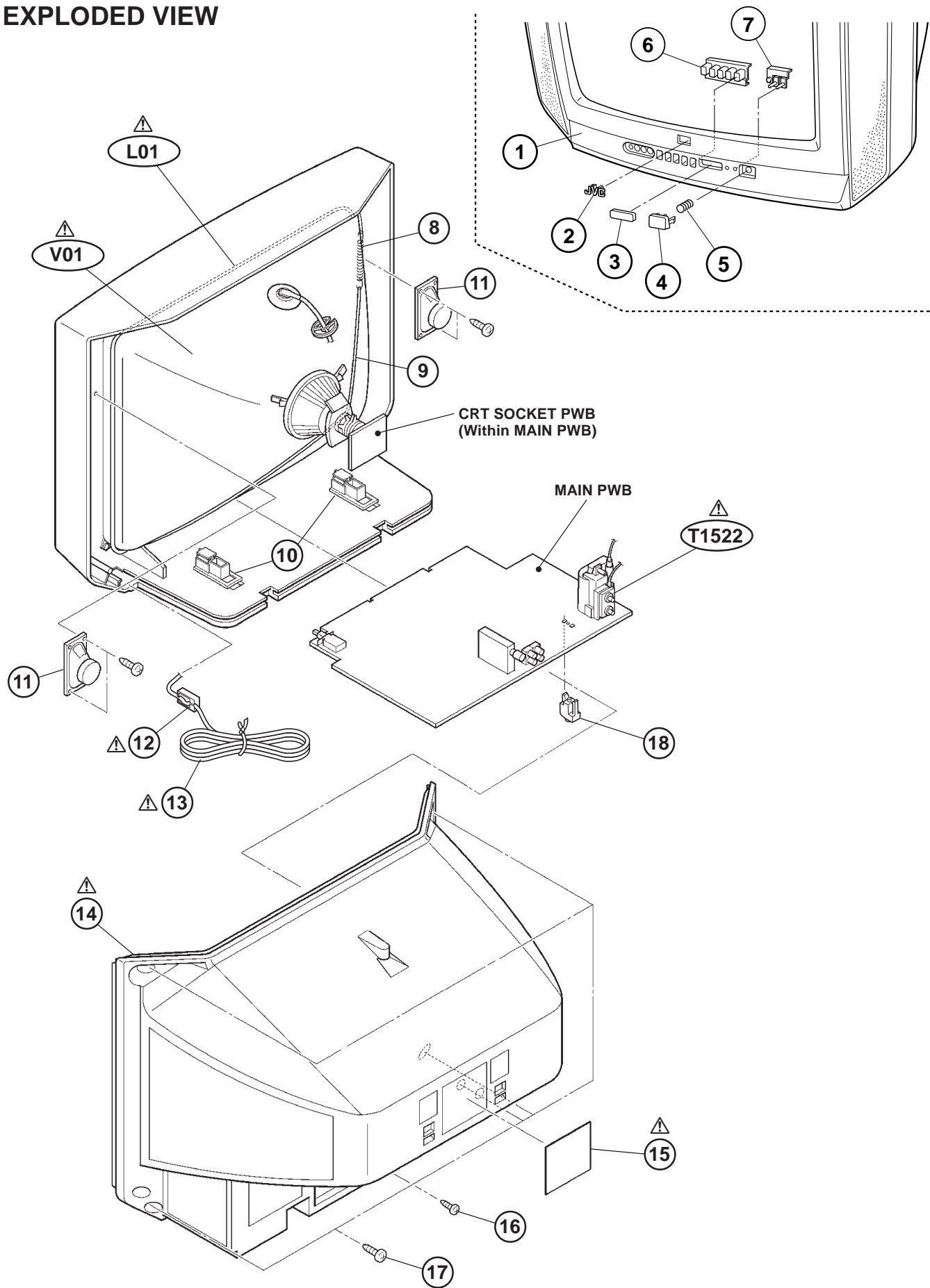
## P.W. BOARD

P.W.B. ASS'Y	Part No.
MAIN P.W.B.	SCG-1250A-CK

## EXPLODED VIEW PARTS LIST

△ Ref.No.	Part No.	Part Name	Description	Local
△ V01	A38JLL91X13	PICTURE TUBE	ITC Type (Includes DEF YOKE.)	
△ L01	QQW0022-001	DEG COIL		
△ T1522	QQH0072-001	H.V. TRANSF.		
1	LC10617-003A	FRONT CABINET		
2	LC40606-003A	JVC MARK		
3	LC30617-001C-H	E.E. WINDOW		
4	LC30616-004A-H	POWER KNOB		
5	CM35235-006-H	SPRING		
6	LC20292-004A-H	CONTROL KNOB		
7	LC30618-001A-H	LED LENS		
8	A48457-4-S	SPRING		
9	WJY0008-001A	E-BRAIDED ASSY		
10	CM36623-B01-H	CHASSIS RAIL	(x2)	
11	CEBSS09D-05KJ2	SPEAKER	(x2) SP01	
△ 12	CM47005-A01-H	CORD CLAMP		
△ 13	QMP4000-200J5	POWER CORD	or QMP4000-200J3	
△ 14	LC10618-001A	REAR COVER		
△ 15	GG20001-011A-H	RATING LABEL		
16	QYSBSF3010Z	TAPPING SCREW		
17	QYSBSFG4016Z	TAPPING SCREW	(x5)	
18	CM48144-002-H	PB STOPPER		

# EXPLODED VIEW



## PRINTED WIRING BOARD PARTS LIST

## MAIN P.W. BOARD ASS'Y (SCG-1250A-CK)

△ Symbol No.	Part No.	Part Name	Description	Local	△ Symbol No.	Part No.	Part Name	Description	Local
<b>RESISTOR</b>					<b>RESISTOR</b>				
R1002	NRSA02J-221X	CH MG R	220Ω 1/10W	J	R1432	QRE122J-3R9	C R	3.9Ω 1/2W	J
R1003	NRSA02J-221X	CH MG R	220Ω 1/10W	J	R1433	QRE122J-3R9	C R	3.9Ω 1/2W	J
R1004	NRSA02J-563X	CH MG R	56kΩ 1/10W	J	R1434	QRE121J-821Y	C R	820Ω 1/2W	J
R1102	NRSA02J-750X	CH MG R	75Ω 1/10W	J	R1436	NRSA02J-823X	CH MG R	82kΩ 1/10W	J
R1103	NRSA02J-100X	CH MG R	10Ω 1/10W	J	R1440	QRE122J-561	C R	560Ω 1/2W	J
R1109	NRSA02J-682X	CH MG R	6.8kΩ 1/10W	J	R1441	NRSA02J-822X	CH MG R	8.2kΩ 1/10W	J
R1110	NRSA02J-272X	CH MG R	2.7kΩ 1/10W	J	R1442	NRSA02J-103X	CH MG R	10kΩ 1/10W	J
R1111	NRSA02J-181X	CH MG R	180Ω 1/10W	J	R1443	QRE122J-1R0	C R	1.0Ω 1/2W	J
R1112	NRSA02J-100X	CH MG R	10Ω 1/10W	J	R1453	NRSA02J-272X	CH MG R	2.7kΩ 1/10W	J
R1113	NRSA02J-101X	CH MG R	100Ω 1/10W	J	R1501	QRE122J-101	C R	100Ω 1/2W	J
R1114	NRSA02J-472X	CH MG R	4.7kΩ 1/10W	J	R1502	NRSA02J-0R0X	CH MG R	0.0Ω 1/10W	J
R1115	NRSA02J-222X	CH MG R	2.2kΩ 1/10W	J	R1503	NRSA02J-682X	CH MG R	6.8kΩ 1/10W	J
R1117	NRSA02J-0R0X	CH MG R	0.0Ω 1/10W	J	R1521	NRSA02J-681X	CH MG R	680Ω 1/10W	J
R1118	NRSA02J-222X	CH MG R	2.2kΩ 1/10W	J	R1522	NRSA02J-103X	CH MG R	10kΩ 1/10W	J
R1120	NRSA02J-391X	CH MG R	390Ω 1/10W	J	R1524	QRL03EJ-680X	OM R	68Ω 3W	J
R1121	NRSA02J-221X	CH MG R	220Ω 1/10W	J	R1526	QRE121J-270Y	C R	27Ω 1/2W	J
R1159	NRSA02J-184X	CH MG R	180kΩ 1/10W	J	R1528	QRE121J-471Y	C R	470Ω 1/2W	J
R1161	NRSA02J-102X	CH MG R	1kΩ 1/10W	J	R1529	QRG029J-820	OM R	82Ω 2W	J
R1162	NRSA02J-122X	CH MG R	1.2kΩ 1/10W	J	R1531	NRSA02J-472X	CH MG R	4.7kΩ 1/10W	J
R1163	NRSA02J-222X	CH MG R	2.2kΩ 1/10W	J	R1533	NRSA02J-332X	CH MG R	3.3kΩ 1/10W	J
R1164	NRSA02J-221X	CH MG R	220Ω 1/10W	J	R1534	NRSA02J-332X	CH MG R	3.3kΩ 1/10W	J
R1165	NRSA02J-220X	CH MG R	22Ω 1/10W	J	△ R1551	QRZ9011-1R0	F R	1.0Ω 1/2W	J
R1166	NRSA02J-821X	CH MG R	820Ω 1/10W	J	R1552	QRJ146J-2R2X	C R	2.2Ω 1/4W	J
R1301	NRSA02J-221X	CH MG R	220Ω 1/10W	J	R1554	QRE122J-182	C R	1.8kΩ 1/2W	J
R1302	NRSA02J-472X	CH MG R	4.7kΩ 1/10W	J	R1571	QRE122J-272	C R	2.7kΩ 1/2W	J
R1303	NRSA02J-101X	CH MG R	100Ω 1/10W	J	R1573	QRT02EJ-1R5X	OM R	1.5Ω 2W	J
R1304	NRSA02J-101X	CH MG R	100Ω 1/10W	J	R1574	QRT02EJ-2R7X	OM R	2.7Ω 2W	J
R1305	NRSA02J-101X	CH MG R	100Ω 1/10W	J	R1576	QRE122J-223	C R	22kΩ 1/2W	J
R1306	NRSA02J-221X	CH MG R	220Ω 1/10W	J	R1577	NRSA02J-562X	CH MG R	5.6kΩ 1/10W	J
R1307	NRSA02J-122X	CH MG R	1.2kΩ 1/10W	J	R1578	NRSA02J-103X	CH MG R	10kΩ 1/10W	J
R1308	NRSA02J-182X	CH MG R	1.8kΩ 1/10W	J	R1581	QRE122J-182	C R	1.8kΩ 1/2W	J
R1312	NRSA02J-0R0X	CH MG R	0.0Ω 1/10W	J	R1582	NRSA02J-273X	CH MG R	27kΩ 1/10W	J
R1313	NRSA02J-102X	CH MG R	1kΩ 1/10W	J	R1583	NRSA02J-393X	CH MG R	39kΩ 1/10W	J
R1314	NRSA02J-102X	CH MG R	1kΩ 1/10W	J	R1651	NRSA02J-103X	CH MG R	10kΩ 1/10W	J
R1321	NRSA02J-152X	CH MG R	1.5kΩ 1/10W	J	R1652	NRSA02J-102X	CH MG R	1kΩ 1/10W	J
R1322	NRSA02J-272X	CH MG R	2.7kΩ 1/10W	J	R1653	QRE122J-1R0	C R	1.0Ω 1/2W	J
R1323	NRSA02J-103X	CH MG R	10kΩ 1/10W	J	R1654	QRX029J-4R7	OM R	4.7Ω 2W	J
R1324	NRSA02J-102X	CH MG R	1kΩ 1/10W	J	R1656	NRSA02J-123X	CH MG R	12kΩ 1/10W	J
R1326	NRSA02J-101X	CH MG R	100Ω 1/10W	J	R1657	NRSA02J-391X	CH MG R	390Ω 1/10W	J
R1327	NRSA02J-475X	CH MG R	4.7MΩ 1/10W	J	R1658	NRSA02J-102X	CH MG R	1kΩ 1/10W	J
R1341	NRSA02J-332X	CH MG R	3.3kΩ 1/10W	J	R1659	NRSA02J-102X	CH MG R	1kΩ 1/10W	J
R1345	NRSA02J-151X	CH MG R	150Ω 1/10W	J	R1660	NRSA02J-103X	CH MG R	10kΩ 1/10W	J
R1346	NRSA02J-151X	CH MG R	150Ω 1/10W	J	R1661	QRE122J-271	C R	270Ω 1/2W	J
R1348	NRSA02J-123X	CH MG R	12kΩ 1/10W	J	R1662	QRE122J-271	C R	270Ω 1/2W	J
R1353	NRSA02J-151X	CH MG R	150Ω 1/10W	J	R1664	NRSA02J-221X	CH MG R	220Ω 1/10W	J
R1354	NRSA02J-331X	CH MG R	330Ω 1/10W	J	R1665	NRSA02J-103X	CH MG R	10kΩ 1/10W	J
R1355	NRSA02J-331X	CH MG R	330Ω 1/10W	J	R1704	NRSA02J-221X	CH MG R	220Ω 1/10W	J
R1356	NRSA02J-331X	CH MG R	330Ω 1/10W	J	R1705	NRSA02J-221X	CH MG R	220Ω 1/10W	J
R1357	NRSA02J-101X	CH MG R	100Ω 1/10W	J	R1706	NRSA02J-561X	CH MG R	560Ω 1/10W	J
R1358	NRSA02J-101X	CH MG R	100Ω 1/10W	J	R1707	NRSA02J-561X	CH MG R	560Ω 1/10W	J
R1359	NRSA02J-101X	CH MG R	100Ω 1/10W	J	R1708	NRSA02J-102X	CH MG R	1kΩ 1/10W	J
R1360	QRZ0107-152Z	C R	1.5kΩ 1/2W	K	R1709	NRSA02J-472X	CH MG R	4.7kΩ 1/10W	J
R1361	QRZ0107-152Z	C R	1.5kΩ 1/2W	K	R1710	NRSA02J-472X	CH MG R	4.7kΩ 1/10W	J
R1362	QRZ0107-152Z	C R	1.5kΩ 1/2W	K	R1711	NRSA02J-472X	CH MG R	4.7kΩ 1/10W	J
R1363	QRL029J-123	OM R	12kΩ 2W	J	R1712	NRSA02J-472X	CH MG R	4.7kΩ 1/10W	J
R1364	QRL029J-123	OM R	12kΩ 2W	J	R1713	NRSA02J-472X	CH MG R	4.7kΩ 1/10W	J
R1365	QRL029J-123	OM R	12kΩ 2W	J	R1714	NRSA02J-472X	CH MG R	4.7kΩ 1/10W	J
R1366	NRSA02J-182X	CH MG R	1.8kΩ 1/10W	J	R1715	NRSA02J-221X	CH MG R	220Ω 1/10W	J
R1367	NRSA02J-182X	CH MG R	1.8kΩ 1/10W	J	R1716	NRSA02J-221X	CH MG R	220Ω 1/10W	J
R1368	NRSA02J-182X	CH MG R	1.8kΩ 1/10W	J	R1718	NRSA02J-561X	CH MG R	560Ω 1/10W	J
R1369	QRE122J-394	C R	390kΩ 1/2W	J	R1719	NRSA02J-102X	CH MG R	1kΩ 1/10W	J
R1372	NRSA02J-0R0X	CH MG R	0.0Ω 1/10W	J	R1720	NRSA02J-472X	CH MG R	4.7kΩ 1/10W	J
R1374	NRSA02J-392X	CH MG R	3.9kΩ 1/10W	J	R1721	NRSA02J-103X	CH MG R	10kΩ 1/10W	J
R1401	NRSA02J-103X	CH MG R	10kΩ 1/10W	J	△ R1723	QRZ9023-270	F R	27Ω 2W	J
R1421	NRSA02J-122X	CH MG R	1.2kΩ 1/10W	J	R1725	NRSA02J-102X	CH MG R	1kΩ 1/10W	J
R1422	NRSA02J-122X	CH MG R	1.2kΩ 1/10W	J	R1726	NRSA02J-472X	CH MG R	4.7kΩ 1/10W	J
R1423	NRSA02J-331X	CH MG R	330Ω 1/10W	J	R1727	NRSA02J-153X	CH MG R	15kΩ 1/10W	J
R1424	NRSA02J-101X	CH MG R	100Ω 1/10W	J	R1728	NRSA02J-102X	CH MG R	1kΩ 1/10W	J
R1425	NRSA02J-471X	CH MG R	470Ω 1/10W	J	R1729	NRSA02J-102X	CH MG R	1kΩ 1/10W	J
R1426	NRSA02J-0R0X	CH MG R	0.0Ω 1/10W	J	R1730	NRSA02J-103X	CH MG R	10kΩ 1/10W	J
R1429	NRSA02J-103X	CH MG R	10kΩ 1/10W	J	R1731	NRSA02J-472X	CH MG R	4.7kΩ 1/10W	J
R1430	NRSA02J-823X	CH MG R	82kΩ 1/10W	J	R1736	NRSA02J-823X	CH MG R	82kΩ 1/10W	J
R1431	NRSA02J-103X	CH MG R	10kΩ 1/10W	J	R1737	NRSA02J-104X	CH MG R	100kΩ 1/10W	J

△ Symbol No.	Part No.	Part Name	Description	Local	△ Symbol No.	Part No.	Part Name	Description	Local
<b>RESISTOR</b>					<b>CAPACITOR</b>				
R1738	NRSA02J-103X	CH MG R	10kΩ 1/10W	J	C1121	NCB21HK-103X	CH C CAP.	0.01μF 50V	K
R1739	NRSA02J-103X	CH MG R	10kΩ 1/10W	J	C1122	NCB21HK-103X	CH C CAP.	0.01μF 50V	K
R1740	NRSA02J-392X	CH MG R	3.9kΩ 1/10W	J	C1161	NCB21HK-103X	CH C CAP.	0.01μF 50V	K
R1741	NRSA02J-561X	CH MG R	560Ω 1/10W	J	C1162	NCB21HK-152X	CH C CAP.	1500pF 50V	J
R1742	NRSA02J-563X	CH MG R	56kΩ 1/10W	J	C1164	NCB21HK-103X	CH C CAP.	0.01μF 50V	K
R1746	NRSA02J-103X	CH MG R	10kΩ 1/10W	J	C1165	NCB21HK-103X	CH C CAP.	0.01μF 50V	K
R1747	NRSA02J-0ROX	CH MG R	0.0Ω 1/10W	J	C1166	NCB21HK-104X	CH C CAP.	0.1μF 50V	K
R1748	NRSA02J-103X	CH MG R	10kΩ 1/10W	J	C1301	NCB21HK-123X	CH C CAP.	0.012μF 50V	K
R1749	NRSA02J-472X	CH MG R	4.7kΩ 1/10W	J	C1302	QETM1HM-475	E CAP.	4.7μF 50V	M
R1771	NRSA02J-821X	CH MG R	820Ω 1/10W	J	C1303	NDC21HJ-100X	CH C CAP.	10pF 50V	J
R1772	NRSA02J-821X	CH MG R	820Ω 1/10W	J	C1304	QFV81HJ-474	TF CAP.	0.47μF 50V	J
R1791	NRSA02J-221X	CH MG R	220Ω 1/10W	J	C1305	QETM1HM-474	E CAP.	0.47μF 50V	M
R1792	NRSA02J-221X	CH MG R	220Ω 1/10W	J	C1306	NCB21HK-103X	CH C CAP.	0.01μF 50V	K
R1793	NRSA02J-221X	CH MG R	220Ω 1/10W	J	C1307	QETM1CM-477	E CAP.	470μF 16V	M
R1794	NRSA02J-221X	CH MG R	220Ω 1/10W	J	C1308	QETM1CM-107	E CAP.	100μF 16V	M
R1795	NRSA02J-221X	CH MG R	220Ω 1/10W	J	C1309	NCB21HK-103X	CH C CAP.	0.01μF 50V	K
R1796	NRSA02J-103X	CH MG R	10kΩ 1/10W	J	C1310	NDC21HJ-221X	CH C CAP.	220pF 50V	J
R1797	NRSA02J-153X	CH MG R	15kΩ 1/10W	J	C1311	NCB21HK-103X	CH C CAP.	0.01μF 50V	K
R1802	NRSA02J-750X	CH MG R	75Ω 1/10W	J	C1312	QENCIHM-474Z	BP E CAP.	0.47μF 50V	M
R1806	QRE122J-271	C R	270Ω 1/2W	J	C1313	QETN1HM-335Z	E CAP.	3.3μF 50V	M
R1807	NRSA02J-680X	CH MG R	68Ω 1/10W	J	C1314	NCB21HK-103X	CH C CAP.	0.01μF 50V	K
R1810	QRG01GJ-560	OM R	56Ω 1W	J	C1315	QETM1CM-107	E CAP.	100μF 16V	M
R1811	NRSA02J-221X	CH MG R	220Ω 1/10W	J	C1316	QETM1HM-106	E CAP.	10μF 50V	M
R1815	QRE121J-181Y	C R	180Ω 1/2W	J	C1317	NCB21HK-473X	CH C CAP.	0.047μF 50V	K
R1816	NRSA02J-681X	CH MG R	680Ω 1/10W	J	C1321	NDC21HJ-120X	CH C CAP.	12pF 50V	J
R1817	NRSA02J-472X	CH MG R	4.7kΩ 1/10W	J	C1322	NCB21HK-273X	CH C CAP.	0.027μF 50V	K
R1901	QRF074K-4R7	UNF R	4.7Ω 7W	K	C1323	QETM1HM-474	E CAP.	0.47μF 50V	M
R1903	QRL02EJ-683X	OM R	68kΩ 2W	J	C1324	QETM1HM-106	E CAP.	10μF 50V	M
R1921	QRE122J-681	C R	680Ω 1/2W	J	C1325	QENB1HM-106	BP E CAP.	10μF 50V	M
R1922	QRT029J-1R2	MF R	1.2Ω 2W	J	C1326	NCS21HJ-221X	CH C CAP.	220pF 50V	J
R1923	QRMO59J-R22	MP R	0.22Ω 5W	J	C1341	QETM1HM-106	E CAP.	10μF 50V	M
R1926	NRSA02J-222X	CH MG R	2.2kΩ 1/10W	J	C1352	QFZ0097-103	MM CAP.	0.01μF 1250V	K
R1928	QRL03EJ-563X	OM R	56kΩ 3W	J	C1354	NDC21HJ-221X	CH C CAP.	220pF 50V	J
R1929	QRE121J-822Y	C R	8.2kΩ 1/2W	J	C1355	NDC21HJ-271X	CH C CAP.	270pF 50V	J
R1932	QRE122J-564	C R	560kΩ 1/2W	J	C1356	NDC21HJ-331X	CH C CAP.	330pF 50V	J
R1933	QRE121J-220Y	C R	22Ω 1/2W	J	C1357	QETN1AM-477Z	E CAP.	470μF 10V	M
R1934	NRSA02J-333X	CH MG R	33kΩ 1/10W	J	C1365	QENB1HM-105	BP E CAP.	1μF 50V	M
R1936	QRG01GJ-561	OM R	560Ω 1W	J	C1366	QENB1HM-105	BP E CAP.	1μF 50V	M
R1941	QRE122J-821	C R	820Ω 1/2W	J	C1367	QENB1HM-105	BP E CAP.	1μF 50V	M
R1942	NRSA02J-122X	CH MG R	1.2kΩ 1/10W	J	C1401	QFV81HJ-474	TF CAP.	0.47μF 50V	J
R1943	NRSA02J-473X	CH MG R	47kΩ 1/10W	J	C1402	QFV81HJ-104	TF CAP.	0.1μF 50V	J
R1944	NRSA02J-103X	CH MG R	10kΩ 1/10W	J	C1422	QETM1HM-105	E CAP.	10μF 50V	M
R1974	NRSA02J-222X	CH MG R	2.2kΩ 1/10W	J	C1423	QCS32HJ-100Z	C CAP.	10pF 500V	J
R1976	NRSA02J-102X	CH MG R	1kΩ 1/10W	J	C1424	QFLB2AJ-103	M CAP.	0.01μF 100V	J
R1977	QRE122J-122	C R	1.2kΩ 1/2W	J	C1426	QFLB1HJ-103	M CAP.	0.01μF 50V	J
R1978	NRSA02J-473X	CH MG R	47kΩ 1/10W	J	C1427	QETM1VM-107	E CAP.	100μF 35V	M
R1979	QRT02EJ-1R2X	MF R	1.2Ω 2W	J	C1428	QEQH1VM-107	E CAP.	100μF 35V	M
R1980	QRL02EJ-103X	OM R	10kΩ 2W	J	C1429	QETM1HM-106	E CAP.	10μF 50V	M
R1985	QRE121J-120Y	C R	12Ω 1/2W	J	C1430	QFN32AJ-272Z	M CAP.	2700pF 100V	J
R1986	NRSA02J-682X	CH MG R	6.8kΩ 1/10W	J	C1433	QEQH1HM-475	E CAP.	4.7μF 50V	M
R1987	NRSA02J-473X	CH MG R	47kΩ 1/10W	J	C1435	QETM1EM-228	E CAP.	2200μF 25V	M
R1988	NRSA02J-182X	CH MG R	1.8kΩ 1/10W	J	C1436	QFV81HJ-334	TF CAP.	0.33μF 50V	J
△ R1991	QRZ0057-825	C R	8.2MΩ 1W	J	C1501	QETM1HM-476	E CAP.	47μF 50V	M
<b>CAPACITOR</b>					C1502	NCB21HK-103X	CH C CAP.	0.01μF 50V	K
C1001	QETM1HM-106	E CAP.	10μF 50V	M	C1503	QETM1HM-106	E CAP.	10μF 50V	M
C1002	NCB21HK-103X	CH C CAP.	0.01μF 50V	K	C1504	QETN1CM-227Z	E CAP.	220μF 16V	M
C1004	QETM1CM-227	E CAP.	220μF 16V	M	C1523	QTMN1VM-476Z	E CAP.	47μF 35V	M
C1005	QFV81HJ-104	TF CAP.	0.1μF 50V	J	C1525	QFZ0200-802	MPP CAP.	8000pF 1.5kVH ±3%	
C1008	QETM1HM-475	E CAP.	4.7μF 50V	M	C1526	QTMN1EM-337Z	E CAP.	330μF 25V	M
C1103	QETM1EM-476	E CAP.	47μF 25V	M	C1527	QFZ0199-304	MPP CAP.	0.3μF 250V	J
C1104	NCB21HK-472X	CH C CAP.	4700pF 50V	K	C1530	QCB32HK-561Z	C CAP.	560pF 500V	K
C1105	NCB21HK-472X	CH C CAP.	4700pF 50V	K	C1531	QEZO203-107	E CAP.	100μF 160V	M
C1106	NCB21HK-472X	CH C CAP.	4700pF 50V	K	C1552	QETM1VM-108	E CAP.	1000μF 35V	M
C1107	NCB21HK-472X	CH C CAP.	4700pF 50V	K	C1554	QETM2EM-475	E CAP.	4.7μF 250V	M
C1109	NCB21HK-472X	CH C CAP.	4700pF 50V	K	C1555	QFLC2AJ-104Z	M CAP.	0.1μF 100V	J
C1110	NRSA02J-0ROX	CH MG R	0.0Ω 1/10W	J	C1571	QETM1AM-107	E CAP.	100μF 10V	M
C1112	QETM1EM-476	E CAP.	47μF 25V	M	C1572	QETM1EM-476	E CAP.	47μF 25V	M
C1113	NCB21HK-472X	CH C CAP.	4700pF 50V	K	C1581	QFV81HJ-104	TF CAP.	0.1μF 50V	J
C1115	NCB21HK-103X	CH C CAP.	0.01μF 50V	K	C1582	QFZ0199-274	MPP CAP.	0.27μF 250V	J
C1116	NCB21HK-103X	CH C CAP.	0.01μF 50V	K	C1651	QTNC1HM-105Z	BP E CAP.	1μF 50V	M
C1117	QFV81HJ-224	TF CAP.	0.22μF 50V	J	C1652	QEQH1HM-106	E CAP.	10μF 50V	M
C1119	QETM1HM-474	E CAP.	0.47μF 50V	M	C1653	QEQH1HM-106	E CAP.	10μF 50V	M
C1120	NDC21HJ-121X	CH C CAP.	120pF 50V	J	C1654	NCB21HK-104X	CH C CAP.	0.1μF 50V	K
					C1655	QEQH1VM-228	E CAP.	2200μF 35V	M
					C1656	QEQH1EM-477	E CAP.	470μF 25V	M

Symbol No.	Part No.	Part Name	Description	Local
<b>CAPACITOR</b>				
C1658	QETM1HM-226	E CAP.	22μF 50V M	
C1659	QETM1CM-107	E CAP.	100μF 16V M	
C1663	QEHQ1HM-106	E CAP.	10μF 50V M	
C1664	NCB21HK-104X	CH C CAP.	0.1μF 50V K	
C1665	QEHHR1HM-105Z	E CAP.	1μF 50V M	
C1705	QETM1CM-477	E CAP.	470μF 16V M	
C1706	NCB21EK-104X	CH C CAP.	0.1μF 25V K	
C1707	NCB21HK-103X	CH C CAP.	0.01μF 50V K	
C1708	QETM1EM-476	E CAP.	47μF 25V M	
C1709	NCB21HK-103X	CH C CAP.	0.01μF 50V K	
C1710	QETM1CM-107	E CAP.	100μF 16V M	
C1711	NCB21HK-103X	CH C CAP.	0.01μF 50V K	
C1712	NCB21HK-103X	CH C CAP.	0.01μF 50V K	
C1713	NCB21HK-103X	CH C CAP.	0.01μF 50V K	
C1714	NDC21HJ-330X	CH C CAP.	33pF 50V J	
C1715	NDC21HJ-330X	CH C CAP.	33pF 50V J	
C1716	NDC21HJ-181X	CH C CAP.	180pF 50V J	
C1717	NDC21HJ-181X	CH C CAP.	180pF 50V J	
C1718	NCB21HK-103X	CH C CAP.	0.01μF 50V K	
C1719	QETM1HM-105	E CAP.	1μF 50V M	
C1720	NCB21HK-103X	CH C CAP.	0.01μF 50V K	
C1721	NCB21HK-333X	CH C CAP.	0.033μF 50V K	
C1722	NDC21HJ-101X	CH C CAP.	100pF 50V J	
C1728	NDC21HJ-181X	CH C CAP.	180pF 50V J	
C1729	NDC21HJ-181X	CH C CAP.	180pF 50V J	
C1730	NCB21HK-103X	CH C CAP.	0.01μF 50V K	
C1738	QETM1HM-226	E CAP.	22μF 50V M	
C1744	NCB21HK-103X	CH C CAP.	0.01μF 50V K	
C1805	QETM1CM-227	E CAP.	220μF 16V M	
C1806	QETM1CM-477	E CAP.	470μF 16V M	
C1811	QETM1HM-106	E CAP.	10μF 50V M	
C1841	NCB21HK-152X	CH C CAP.	1500pF 50V J	
△ C1901	QFZ9040-104	MF CAP.	0.1μF AC275V M	
C1904	QCZ9082-222Z	C CAP.	2200pF AC250V M	
C1905	QCZ9082-222Z	C CAP.	2200pF AC250V M	
C1907	QCZ9082-222Z	C CAP.	2200pF AC250V M	
C1909	QEZ0199-127	E CAP.	120μF 400V M	
△ C1910	QFZ9040-473	MF CAP.	0.047μF AC275V M	
C1922	QFLB1HJ-471	M CAP.	470pF 50V J	
C1924	QETM1VM-107	E CAP.	100μF 35V M	
C1926	QFLC1HJ-332Z	M CAP.	3300pF 50V J	
C1928	NCB21HK-473X	CH C CAP.	0.047μF 50V K	
C1929	QFP32GJ-223Z	PP CAP.	0.022μF 400V J	
C1930	QCZ0325-561	C CAP.	560pF 2kV K	
C1931	QCZ0325-151	C CAP.	150pF 2kV K	
C1932	QCZ0325-151	C CAP.	150pF 2kV K	
C1941	QCZ0122-561	C CAP.	560pF 2kV K	
C1942	QEZ0420-107	E CAP.	100μF 160V M	
C1945	QEHQ1CM-108	E CAP.	1000μF 16V M	
C1946	QEHHR1CM-477Z	E CAP.	470μF 16V M	
C1948	QEHQ1VM-108	E CAP.	1000μF 35V M	
C1949	NDC21HJ-471X	CH C CAP.	470pF 50V J	
C1950	NCB21HK-104X	CH C CAP.	0.1μF 50V K	
C1971	QETM1HM-226	E CAP.	22μF 50V M	
C1972	QETM1CM-107	E CAP.	100μF 16V M	
C1976	QETM1HM-105	E CAP.	1μF 50V M	
C1977	QETM1CM-477	E CAP.	470μF 16V M	
C1978	QETM1CM-227	E CAP.	220μF 16V M	
C1979	QETM1CM-107	E CAP.	100μF 16V M	
△ C1991	QCZ9079-471	C CAP.	470pF AC250V K	
△ C1992	QCZ9079-471	C CAP.	470pF AC250V K	
△ C1993	QCZ9079-102	C CAP.	1000pF AC250V K	

**TRANSFORMER**

△ T1522	QQH0072-001	H.V. TRANSF.	
△ T1921	QSS0050-001	SW TRANSF.	

**COIL**

L1001	QQL242K-8R2	PEAKING COIL	8.2μH K
L1101	QQL2014-2R2	PEAKING COIL	2.2μH K
L1103	QQL242K-8R2	PEAKING COIL	8.2μH K
L1351	QQL242K-470	PEAKING COIL	47μH K

Symbol No.	Part No.	Part Name	Description	Local
<b>COIL</b>				
L1352	QQL242K-470	PEAKING COIL	47μH K	
L1353	QQL242K-470	PEAKING COIL	47μH K	
L1522	CE41807-00B	H.LIN.COIL		
L1523	QQL342J-2R2Z	INDUCTOR	2.2μH J	
L1551	QQL2018-670	HEATER CHOKE		
L1701	QQL244J-5R6Z	PEAKING COIL	5.6μH J	
L1941	QQL26AK-820Z	CHOKE COIL	82μH K	
L1942	QQL26AK-820Z	CHOKE COIL	82μH K	
L1943	QQL26AK-820Z	CHOKE COIL	82μH K	

**DIODE**

D1001	MA3330/L/-X	CHIP ZENER DIODE	
D1102	1S585-T2	SI DIODE	
D1301	MA3091/M/-X	CHIP ZENER DIODE	
D1302	MA3091/M/-X	CHIP ZENER DIODE	
D1305	RB100A-T2	SI DIODE	
D1306	1SR124-400A-T2	SI DIODE	
D1341	MA111-X	CHIP DIODE	
D1342	MA111-X	CHIP DIODE	
D1351	MA3051/H/-X	CHIP ZENER DIODE	
D1352	MA3051/H/-X	CHIP ZENER DIODE	
D1353	MA3051/H/-X	CHIP ZENER DIODE	
D1354	MA111-X	CHIP DIODE	
D1355	MA111-X	CHIP DIODE	
D1356	MA111-X	CHIP DIODE	
D1421	MA3360/M/-X	CHIP ZENER DIODE	
D1422	MA3360/M/-X	CHIP ZENER DIODE	
D1423	1SR124-400A-T2	SI DIODE	
D1424	MA111-X	CHIP DIODE	
D1425	MA111-X	CHIP DIODE	
D1427	MA3270/H/-X	CHIP ZENER DIODE	
D1551	RG10J-TS-T3	SI DIODE	
D1552	RH15-T3	SI DIODE	
D1553	MA3091/M/-X	CHIP ZENER DIODE	
D1554	MA111-X	CHIP DIODE	
D1571	MA3075/M/-X	CHIP ZENER DIODE	
D1581	MA3200/M/-X	CHIP ZENER DIODE	
D1582	RG10J-TS-T3	SI DIODE	
D1651	MA111-X	CHIP DIODE	
D1652	MA111-X	CHIP DIODE	
D1653	MTZJ18A-T2	ZENER DIODE	
D1704	L-132XID-T16	LED (RED)	
D1705	L-132XND-T16	LED (RED)	
D1706	MA111-X	CHIP DIODE	
D1707	MA111-X	CHIP DIODE	
D1731	MA111-X	CHIP DIODE	
D1901	G2SBA60	BRIDGE DIODE	
D1921	RG10J-TS-T3	SI DIODE	
D1922	MA111-X	CHIP DIODE	
D1923	MA111-X	CHIP DIODE	
D1924	MA111-X	CHIP DIODE	
D1926	MA3056/M/-X	CHIP ZENER DIODE	
D1927	MA3068/M/-X	CHIP ZENER DIODE	
D1929	RD12E/B2/-T5	ZENER DIODE	
D1930	EG1A-T3	SI DIODE	
D1932	MA111-X	CHIP DIODE	
D1933	RD27E/B2/-T5	ZENER DIODE	
D1941	RU3AM-LFC4	SI DIODE	
D1942	RU3YX-LFC4	SI DIODE	
D1943	RG10J-TS-T3	SI DIODE	
D1945	MA3075/H/-X	CHIP ZENER DIODE	
D1973	MA111-X	CHIP DIODE	
D1974	MA111-X	CHIP DIODE	
D1982	MA111-X	CHIP DIODE	
D1983	MA111-X	CHIP DIODE	

**TRANSISTOR**

Q1102	2SC5083/L-P/-T	SI TRANSISTOR	
Q1103	DTC124EKA-X	DIGI TRANSISTOR	
Q1161	2SC2412K/QR/-X	CHIP TRANSISTOR	
Q1301	2SA1037AK/QR/-X	SI TRANSISTOR	
Q1302	2SC2412K/QR/-X	CHIP TRANSISTOR	

Symbol No.	Part No.	Part Name	Description	Local
<b>TRANSISTOR</b>				
Q1351	2SC4722/NP/	SI TRANSISTOR		
Q1352	2SC4722/NP/	SI TRANSISTOR		
Q1353	2SC4722/NP/	SI TRANSISTOR		
Q1401	DTC124ESA-T	DIGI TRANSISTOR		
Q1402	2SC2412K/QR/-X	CHIP TRANSISTOR		
Q1521	2SK3065-W	CHIP FET		
Q1522	2SC5388-CA	POWER TRANSISTOR	H. OUT	
Q1523	2SC2412K/QR/-X	CHIP TRANSISTOR		
Q1524	2SC2412K/QR/-X	CHIP TRANSISTOR		
Q1571	2SA1208/ST/Z1-T	SI TRANSISTOR		
Q1572	2SC2412K/QR/-X	CHIP TRANSISTOR		
Q1651	2SA1037AK/QR/-X	SI TRANSISTOR		
Q1652	DTC323TK-X	DIGI TRANSISTOR		
Q1654	2SC2412K/QR/-X	CHIP TRANSISTOR		
Q1655	2SC2412K/QR/-X	CHIP TRANSISTOR		
Q1702	2SC2412K/QR/-X	CHIP TRANSISTOR		
Q1703	2SC2412K/QR/-X	CHIP TRANSISTOR		
Q1708	DTC124EKA-X	DIGI TRANSISTOR		
Q1803	2SC1815/YG/-T	SI TRANSISTOR		
Q1804	2SC2412K/QR/-X	CHIP TRANSISTOR		
Q1941	2SC2412K/QR/-X	CHIP TRANSISTOR		
Q1943	DTC114EKA-X	CHIP TRANSISTOR		
Q1973	2SC2412K/QR/-X	CHIP TRANSISTOR		
Q1974	2SA966/OY/-T	SI TRANSISTOR		
Q1975	DTC124EKA-X	DIGI TRANSISTOR		

**IC**

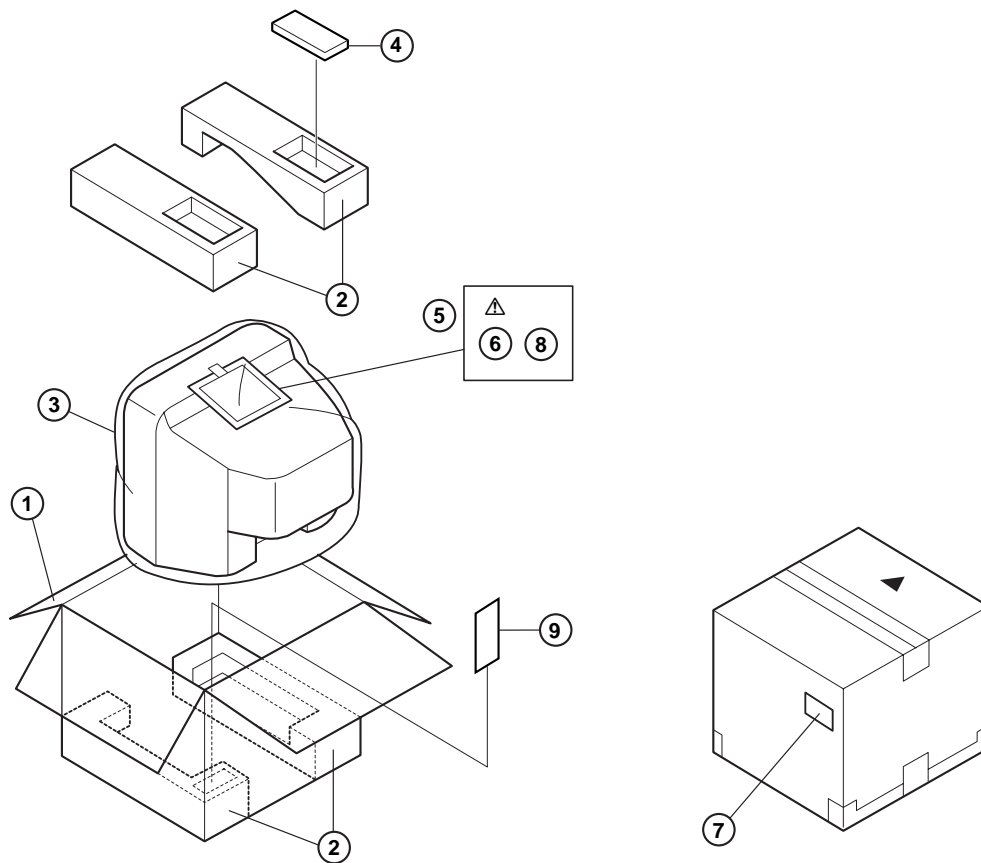
IC1301	NN5198K	IC		
IC1421	AN5539-LF	IC		
IC1651	LA4287	IC		
IC1652	SI-5001X-X	IC		
IC1701	MN1873287JD	IC (MICROCOMPUTER)		
IC1702	AT24C08-21F7VT	IC (MEMORY)	(Service)	
IC1703	L78LR05E-MA	IC (5V REG/RESET)		
IC1704	PIC-28143SY	IR DETECT UNIT		
IC1921	STR-G6653	IC (SW REG)		
IC1941	SE115N-LF12	IC		
IC1971	BA51W12ST-V5	IC (5V/9V REG)		

**OTHERS**

CF1161	LC30114-001C-H	LED HOLDER		
CP1981	SFSH4.5MCB	CERAMIC FILTER		
CP1982	ICP-N75	IC PROTECTOR		
F1901	QMF51E2-3R15J4	FUSE	3.15A	
FC1901	CEMG002-001Z	FUSE CLIP (x2)		
J1002	CEMN075-001	PIN JACK		
J1003	QNN0281-003	PIN JACK		
J1004	QNN0281-002	PIN JACK		
J1005	QNS0165-001	3.5 JACK		
J1006	QNN0281-002	PIN JACK		
K1001	QQR0621-002Z	BEADS CORE		
K1351	QQR0621-002Z	BEADS CORE		
K1421	QQR0582-001Z	BEADS CORE		
K1921	QQR1113-001Z	FERRITE BEADS		
K1922	QQR1113-001Z	FERRITE BEADS		
K1923	QQR1114-001Z	FERRITE BEADS		
K1924	QQR1113-001Z	FERRITE BEADS		
K1941	QQR1113-001Z	FERRITE BEADS		
K1942	QQR1113-001Z	FERRITE BEADS		
K1943	QQR1113-001Z	FERRITE BEADS		
LF1901	QQR0906-001	LINE FILTER		
PC1921	PC123F2	PHOTO COUPLER		
RY1971	CESK028-001	RELAY		
S1701	QSW0619-003Z	PUSH SWITCH	VOL+	
S1702	QSW0619-003Z	PUSH SWITCH	VOL-	
S1703	QSW0619-003Z	PUSH SWITCH	CH+	
S1704	QSW0619-003Z	PUSH SWITCH	CH-	
S1705	QSW0619-003Z	PUSH SWITCH	MENU	
S1901	QSW0750-001	PUSH SWITCH	POWER	
SF1102	QAX0594-001	SAW FILTER		
SF1122	QAX0325-001	SAW FILTER		

Symbol No.	Part No.	Part Name	Description	Local
<b>OTHERS</b>				
SK1351	CE42554-001	CRT SOCKET		
TH1901	QAD0119-9R0	P THERMISTOR		
TU1001	QAU0186-001	AMP TUNER		
VA1901	QAF0052-621	ZNR		
X1301	QAX0500-001Z	CRYSTAL		
X1302	CE42690-001Z	CRYSTAL		
X1701	FCR12.0M2S	C RESONATOR		

# PACKING



## PACKING PARTS LIST

△ Ref.No.	Part No.	Part Name	Description	Local
1	GG10007-011A	PACKING CASE	4 pcs. in 1 set	
2	GG10018-001A	CUSHION ASSY		
3	CP30967-003-H	POLY BAG		
4	RM-C367-1H	REMOCON UNIT		
5	CP30966-001-H	POLY BAG		
△ 6	LCT0769-001A	INST BOOK	(x2)	
7	CM43936-001	POS/SERIAL LABEL		
8	CEAB005-00AJ1	MATCHING BOX		
9	CM36447-00A-H	ROD ANTENNA		

## REMOTE CONTROL UNIT PARTS LIST (RM-C367-1H)

△ Ref.No.	Part No.	Part Name	Description	Local
	3139 224 20073	BATTERY COVER		



